



FEATURES & BENEFITS

- » Meets or Exceeds the latest Revision of ISO4064 Standard
- » Sustained, High Accuracy Across Broad Flow Range
- » Extended warranty ensures Long life cycle (up to 20 years)
- » Flexible Installation Options
- » Service all meter components without removal from the line
- » Optional Smart AMI Integrated Register
- » User configured data reading intervals
- » Advanced Leaks Management
- » Alerts-Tamper, Theft, Zero Consumption, Damaged Meter
- » Cover Open indication

WATER METER 1/2"-3/4"

DN15~DN20

- WM12MC-1/2" (Mechanical)
- WM34MC-3/4" (Mechanical)
- WM12EC-1/2" (AMI capability)
- WM34EC-3/4" (AMI capability)

Multi-jet dry type vane wheel water meter

Turbine Multi-jet Super dry water meter for residential application in sizes 15 and 20 mm for cold meter.

Powercom "Smart AMI" register enables a fixed AMM Network. A two way communication enables Automatic Meter Management and connectivity to the "Matmid" backbone servers.

Features

- Magnetic drive, lower transmission resistance
- Magnetic shield, for external magnetic field protection
- Sealed dry dial register ensures clear reading
- Register can rotate less than 360° for easily reading in any position

Standards Compliance

- ISO 4064 Class B for horizontal Installation

Optical Features

- Several lengths and connections available on request
- Non return valve
- U.S. Gallon (USG) for selecting
- Can be equipped with reed switch option

Working Conditions

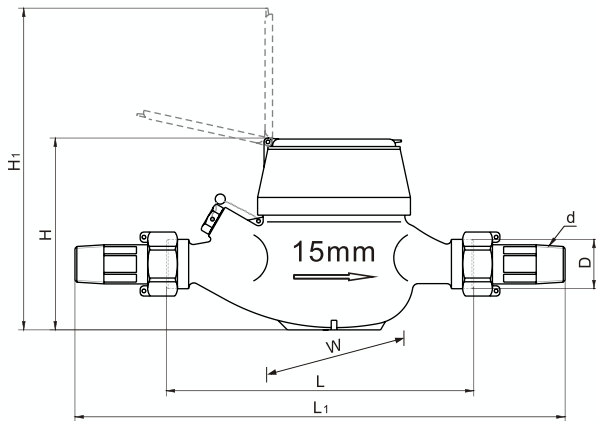
- Water temperature: $\leq 50^{\circ}\text{C}$
- Water pressure: $\leq 1.6\text{ MPa}$

Installation Requirements

- The meter should be installed in horizontal position with the register face upwards
- Pipeline must be flushed before installation
- The meter should be constantly full of water during operation

Technical Characteristics

Dimension Picture

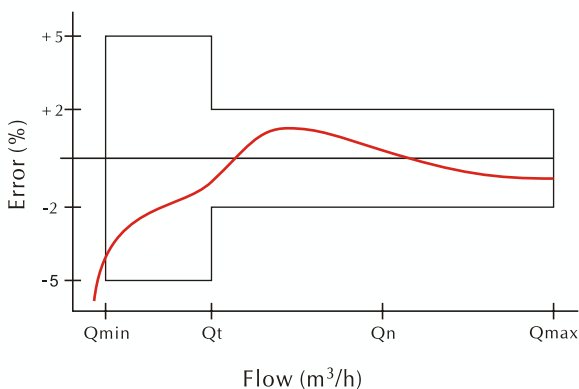


Dimensions and Weights

Nominal diameter	DN	15	20
Body thread	D	G3/4B	G1B
Connector thread	d	R1/2	R3/4
Body length	mm	L	165
Overall length	mm	L ₁	263
Width	mm	W	82
Meter height	mm	H	103
Working height	mm	H ₁	172.5
Weight without connectors	Kg		1.04
Weight with connectors	Kg		1.436

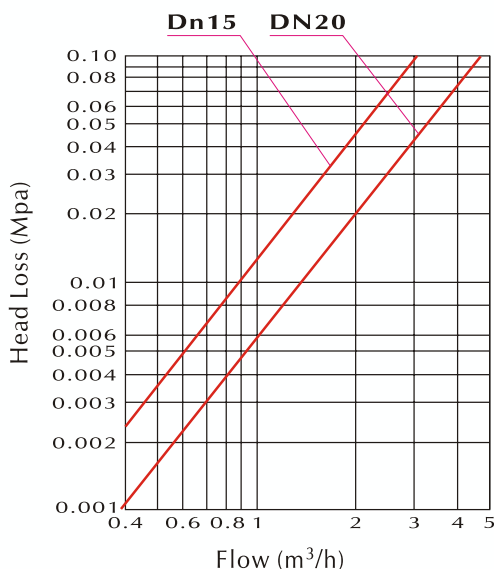
"L₁" is the total length when coupling gaskets without compression.

Accuracy Curve



Nominal diameter (DN)	Cold water		
	mm	15	20
	Inches	1/2"	3/4"
Maximum admissible temperature	°C	50	
Q _{min} ±5%	L/h	30	50
Q _t ±2%	L/h	120	200
Q _n ±2%	m ³ /h	1.5	2.5
Q _{max} ±2%	m ³ /h	3	5
Pressure loss group at Q _{max}	bar	≤1	
Maximum admissible pressure	bar	16	
Testing pressure	bar	25	
Indicating range	m ³	99999.99995	
Minimum scale interval	L	0.00005	

Head Loss Curve



Maximum Permissible Error (both class A and class B)

In the lower zone from Q_{min} inclusive up to but excluding Q_t is ±5% .

In the upper zone from Q_t inclusive up to and including Q_{max} is ±2% .

Installation request

The meter must be installed with the direction of the flow as indicated by the arrow cast in the meter body

Manufacturing:

ISO 9001:2000 Quality system Certification

ISO 10012:2003 Measurement System Certification

ISO 14000:2004 Environmental Management System Certification.